



Therma-Seal™ Insulating Tee-Handle

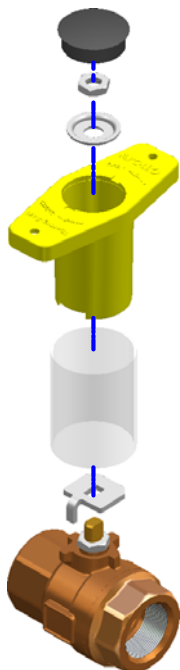
Job Name:	Contractor:
Job Location:	P.O. Number:
Engineer:	Representative:
Tag:	Wholesale Distributor:

DESCRIPTION

The Apollo® *Therma-Seal*™ thermal insulating tee-handle is designed to be used in applications where piping insulation is required. Manufactured from high strength glass reinforced nylon, these handles are ideally suited for the toughest commercial and industrial applications. Handles are available as a factory installed option (-11 option suffix) or as a kit for retrofits. See chart below for models and kit numbers.

FEATURES

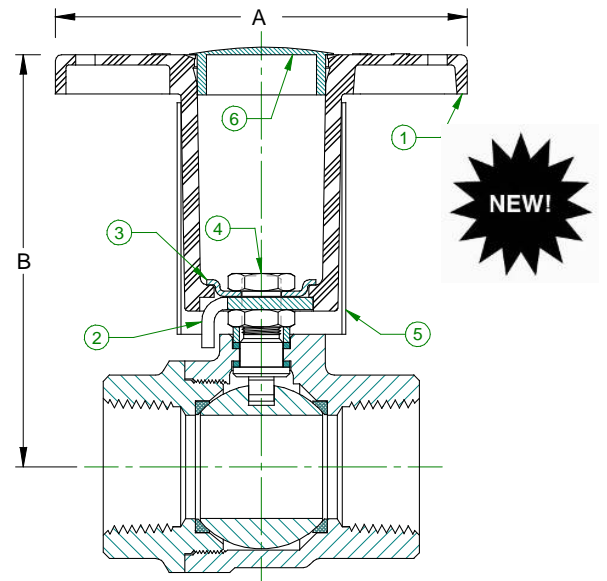
- 2-1/4" nominal extended tee-handle
- High strength glass reinforced nylon body
- Heavy duty plated steel stop plate
- Tee-shaped design provides positive position indication
- Unique cap snaps securely in place and provides a vapor seal against outside air and helps prevent condensation when used on chilled water lines
- Simple, patent pending design makes retrofits or new installations easy
- Piping insulation can be secured to the integrated plastic sleeve and is not disturbed during valve operation
- Formed holes are provided for identification tagging
- Innovative stop plate design allows the thermal insulating tee handle to be used on a wide variety of Apollo 2 and 3 piece bronze ball valves.



STANDARD MATERIALS LIST

Item	Name	Material
1	Molded Tee-Handle	Glass reinforced nylon
2	Stop Plate	Zinc plated steel
3	Cup Washer	Zinc plated steel
4	Handle Nut	Zinc plated steel
5	Plastic Sleeve	Clear CAB plastic
6	Plastic Cap	Heat stabilized nylon

DIMENSIONS & AVAILABLE SIZES



SIZE	70 & 71 SERIES			77C, 77W, & 77X SERIES			77 SERIES			82 SERIES		
	KIT #	A	B	KIT #	A	B	KIT #	A	B	KIT #	A	B
1/4"	78219001	4.00	3.53	78218301	4.00	3.48	78219001	4.00	3.55	78219001	4.00	3.59
3/8"		4.00	3.53		4.00	3.48		4.00	3.55		4.00	3.59
1/2"		4.00	3.56		4.00	3.52		4.00	3.58		78219101	4.00
3/4"	78219101	4.00	3.88	78218401	4.00	3.81	78219101	4.00	3.93	78219101	4.00	3.94
1"		4.00	3.99		4.00	4.00		5.50	4.54		5.50	4.48
1-1/4"	78219201	5.50	4.48	78218501	5.50	4.70	78219201	5.50	4.76	78219201	5.50	4.73
1-1/2"		5.50	4.67		5.50	4.86		5.50	4.71		5.50	4.98
2"		5.50	4.86		5.50	5.40		5.50	5.11		5.50	5.29

Caution: Handle should not be used in applications where its temperature will exceed 275°F