

VRC Positioners

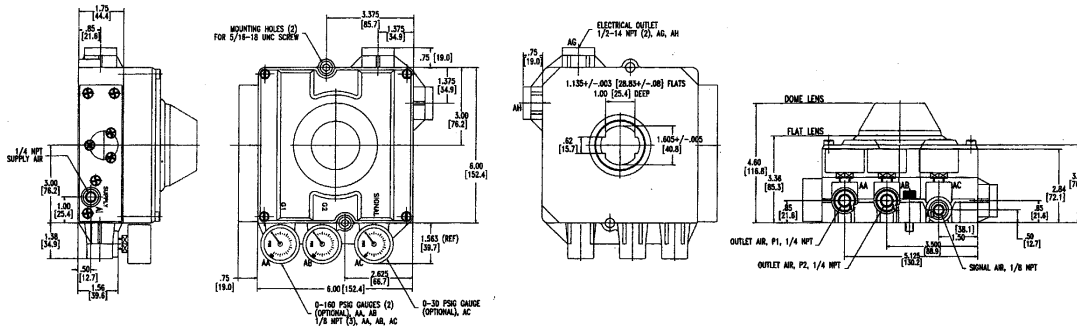
Construction

Part	Materials
Enclosure	PPA Composite, 300 Stainless Steel Port Rings, Cover and Mounting Bolts
Indicator Lens Internals	LEXAN™ PPA, PPS and PEEK Composites
Nickel Plated Brass Spool Valve	300 Series Stainless Steel
I/P Converter (VK02) VE Model	Carpenter 70 Grade Stainless Steel
Signal Diaphragm/O-Rings	PPA Composite, TEFLON™ Coated Carbon Steel, Nickel Plated Carbon Steel, High Density Polyethylene DELRIN™ BUNA N

Performance

Parameter	Specification
Resolution	1.25% Maximum 0.10% Typical
Repeatability	99.75% Minimum 99.90% Typical
Hysteresis	0.50% Maximum 0.25% Typical
Linearity	1.0% Maximum
Gain @80 psig	250 Single Acting 500 Double Acting
Air Consumption @80 psig	0.25 SCFM. Standard Flow Spool Valve 0.45 SCFM Maximum Flow Spool Valve
Temp. Range	-40 to 150°F/-40 to 65°C

Dimensional Diagrams



Model Number Specifications

Required Selections	Optional Selections		Characterizing Cam		Spool Valve		Port Gauges		Position Transmitter		Limit Switch
Model Type	Position Indicator										
VP	Flat 90°	7	Linear	0	Standard	0	Brass	G	4-20 MA	T1	Mechanical S1
Pneumatic											
3-15 psig	Flat 180°	8	Square Root	1	Maximum	1	Stainless	Z	1 Kohm	T2	(2) SPDT
VE	Dome 90°	9	Square	2	Extreme Service	2					Proximity S2
					Standard Flow						
Electro-Pneumatic			0-60°	3	Extreme Service	3					(2) SPST
4-20 MA			Equal Percent	4	Max. Flow						
VI			Custom	5							
Electro-Pneumatic			Tangent	6							
General Purpose & Hazardous Locations			0-45°	7							

Model Number Example:

A Model VE900-G-T1-S2 is a (Model VE) electro-pneumatic positioner with a (9) DOME style, 2-quadrant position indicator; (0) linear Cam; and (0) Standard Flow Spool Valve. Optional fields specify (G) Brass Gauges; (T1) 4-20 MA position transmitter; and (S2) (2) SPST Proximity Limit Switches.

Note: See Price List for Cii Part Numbers