



77-200 SERIES

Full Port Solder End Ball Valve

Job Name:	Contractor:
Job Location:	P.O. Number:
Engineer:	Representative:
Tag:	Wholesale Distributor:

DESCRIPTION

The Apollo® 77-200 Series is a full port ball valve designed to be soft soldered into lines without disassembly.

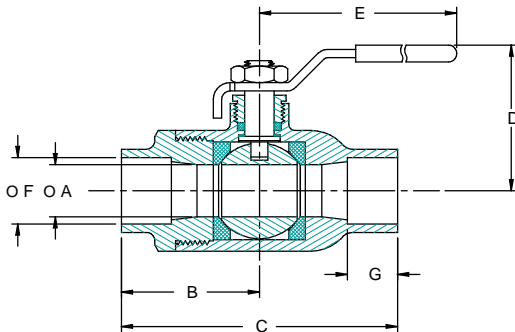
FEATURES

- Adjustable Packing
- Blow-Out Proof Stem Design
- RPTFE Seats and Stuffing Box Ring
- Chromium Plated Ball

PERFORMANCE RATING

- Maximum Pressure: 600 psi CWP, 150 psi SWP
- Maximum Temperature: 500°F
- Vacuum Service to 29 in. Hg

DIMENSIONS



Model Number	Size (in.)	Dimensions						
		A	B	C	D	E	F	G
77-204	3/4"	0.81	2.12	4.12	2.12	4.87	0.88	0.75
77-205	1"	1.00	2.33	4.64	2.62	5.50	1.13	0.90
77-206	1 1/4"	1.25	2.60	5.15	2.87	5.50	1.38	0.96
77-207	1 1/2"	1.50	3.00	6.00	3.34	8.00	1.63	1.09
77-208	2"	2.00	3.62	7.24	3.71	8.00	2.13	1.34
77-209	2 1/2"	2.50	3.93	7.87	4.12	8.00	2.63	1.48

MODELS

- 77-200 Series Standard
- 77-240 Series 316 SS Ball & Stem
- 77-250 Series Balancing Stop

APPROVALS

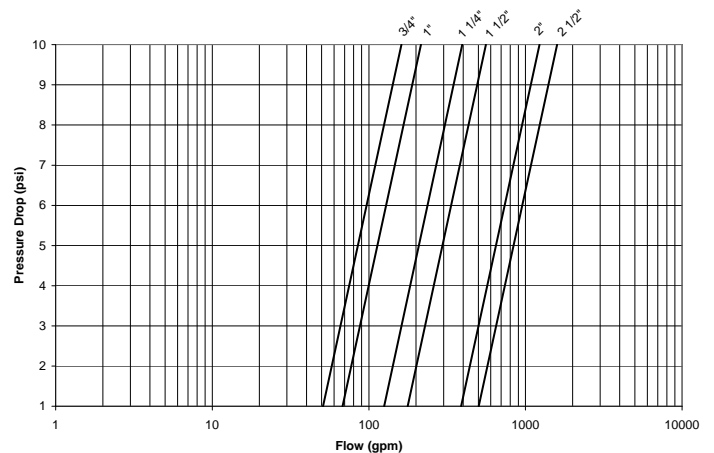
- MSS SP-10; Ball Valves, Threaded, Socket-Welding, Solder Joint, Grooved and Flared Ends
- CRN: OC10908.5C



STANDARD MATERIALS LIST

Part Name	Material
Lever and Grip	Steel, Zinc Plated w/ Vinyl
Stem Packing	RPTFE
Stem Bearing	RPTFE
Ball	B16, Chrome Plated
Seat (2)	RPTFE
Retainer	B16 (3/4" to 1"), B584-C84400 (1 1/4" to 2 1/2")
Gland Nut	B16
Stem	B16
Lever Nut	Steel, Zinc Plated
Body Seal (1 1/4" to 2 1/2")	PTFE
Body	B584-C84400

FLOW CHARACTERISTICS



OPTIONS & SIZES

- (-04) 2 1/4" CS Stem Extension 1/4" - 2 1/2"
- (-07) Steel Tee Handle 1/4" - 1 1/2"
- (-15) Wheel Handle, Steel 1/4" - 1 1/4"
- (-27) SS Latch-Lock Lever & Nut 1/4" - 2 1/2"
- (-57) Oxygen Cleaned 1/4" - 2 1/2"

Conbraco Industries, Inc. 701 Matthews Mint Hill Rd. Matthews NC 28106 USA; www.apollovalves.com; 704-841-6000

This specification is provided for reference only. Conbraco reserves the right to change any portion of this specification without notice and without incurring obligation to make such changes to Conbraco products previously or subsequently sold.