



75 SERIES Locking Bronze Ball Valve

Job Name:	Contractor:
Job Location:	P.O. Number:
Engineer:	Representative:
Tag:	Wholesale Distributor:

DESCRIPTION

This Apollo® Ball Valve meets OSHA standards and provides for easy, safe maintenance of pneumatic tools. Valve can be padlocked in the OPEN or CLOSED position with the same hardware.

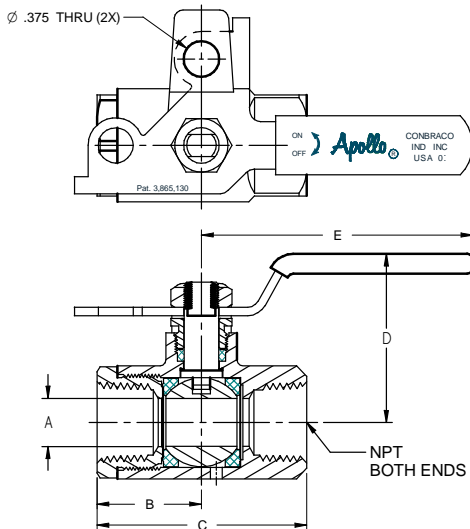
FEATURES

- Adjustable Packing Gland
- Blow-Out Proof Stem Design
- RPTFE Seats and Stuffing Box Ring
- Hardened Ball for Wear Resistance

PERFORMANCE RATING

- Maximum Pressure: 600 psi CWP, 150 SWP
- Temperature Range: +50°F - 200°F

DIMENSIONS



Model Number	Size (in.)	Dimensions				
		A	B	C	D	E
75-101	1/4"	0.43	1.12	2.25	1.81	3.00
75-102	3/8"	0.50	1.12	2.25	1.81	3.00
75-103	1/2"	0.50	1.12	2.25	1.81	3.00
75-104	3/4"	0.87	1.68	3.37	2.25	3.87
75-105	1"	0.87	1.68	3.37	2.25	3.87
75-106	1 1/4"	1.00	2.00	4.00	2.62	5.50
75-107	1 1/2"	1.25	2.16	4.37	2.87	5.50
75-108	2"	1.50	2.34	4.68	3.06	5.50



STANDARD MATERIALS LIST

Part Name	Material
Lever and Grip	Steel, Zinc Plated w/ Vinyl
Stem Packing	MPTFE
Stem Bearing	RPTFE
Ball	B16 Brass, Chrome Plated
Seat (2)	RPTFE
Retainer	B16 Brass (1/4"-1"), B584 Bronze (1 1/4"-2")
Gland Nut	B16 Brass
Stem	B16 Brass
Lever Nut	Steel, Zinc Plated
Body	B584 Bronze-C84400

APPROVALS

- MSS SP-110; Ball Valves, Threaded, Socket-Welding, Solder Joint, Grooved and Flared Ends
- Federal Specification: WW-V-35C, Type: II, Composition: BZ, Style: 3
- CRN: OC10908.5C

OPTIONS

- (-02) Stem Grounded 1/4" - 2"
- (-07) T-Handle 1/4" - 2"
- (-08) 90° Reversed Stem 1/4" - 2"
- (-14) Side Vented Ball (Uni-Directional) 1/4" - 2"
- (-10) SS Lever & Nut 1/4" - 2"
- (-17) Rough Chrome Plated 1/4" - 2"
- (-20) Slot Vented Ball 1/4" - 2"
- (-24) Graphite Packing 1/4" - 2"
- (-41) Automatic Drain (Bronze Valves Only) 1/4" - 2"
- (-49) Assembled Dry 1/4" - 2"
- (-57) Oxygen Cleaned 1/4" - 2"
- (-60) Static Grounded Ball & Stem 1/4" - 2"
- (-P01) BSPP (Parallel) Thread Connection 1/4" - 2"
- (-T01) BSPT (Tapered) Thread Connection 1/4" - 2"
- (75-120 SERIES) 316 SS Ball and Stem 1/4" - 2"
- (75-190 SERIES) Pinned Retainer 1/4" - 2"

Conbraco Industries, Inc. 701 Matthews Mint Hill Rd. Matthews NC 28106 USA; www.apollovalves.com; 704-841-6000

This specification is provided for reference only. Conbraco reserves the right to change any portion of this specification without notice and without incurring obligation to make such changes to Conbraco products previously or subsequently sold.