



Lead Free*

**70LF-200 SERIES
Bronze Ball Valve - Solder**

Job Name:	Contractor:
Job Location:	P.O. Number:
Engineer:	Representative:
Tag:	Wholesale Distributor:

DESCRIPTION

The Apollo® 70LF Series has the same rugged features as the industry standard 70 Series valves with the added advantage of **Lead Free*** materials. The 70LF is ideal for plumbing and heating systems, including potable water. Trusted Apollo® performance with a wide range of popular options.



FEATURES

- **Lead Free*** Brass & Bronze Materials
- ANSI/NSF 61 Section 8 2008 180°F
- Easily Identifiable Blue "Lead Free" Hang Tag
- RPTFE Seats and Stuffing Box Ring
- Chromium Plated Ball
- Designed, Manufactured and 100% Factory Tested in the USA

PERFORMANCE RATING

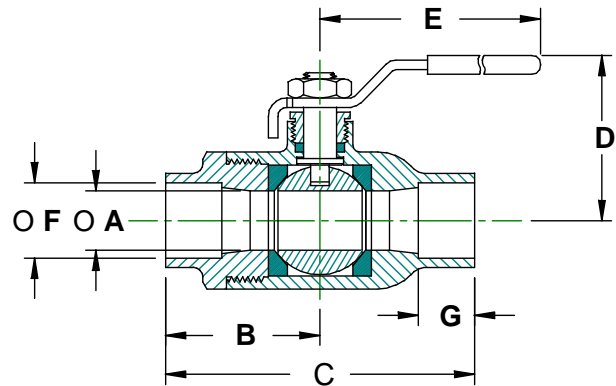
- Maximum Pressure: 600 psig CWP 150 psig SWP
- Maximum Temperature: 450°F
- Vacuum Service to 29 in. Hg

DIMENSIONS

Part #	Size (in.)	Dimensions							Wt (lbs.)
		A	B	C	D	E	F	G	
70LF20201	3/8"	0.37	1.28	2.56	1.75	3.87	0.51	0.37	0.63
70LF20301	1/2"	0.50	1.43	2.87	1.75	3.87	0.63	0.50	0.71
70LF20401	3/4"	0.68	1.93	3.87	2.12	4.87	0.88	0.75	1.44
70LF20501	1"	0.87	2.25	4.50	2.25	4.87	1.13	0.90	1.91
70LF20601	1-1/4"	1.00	2.31	4.62	2.62	5.50	1.38	0.96	2.95
70LF20701	1-1/2"	1.25	2.62	5.25	3.06	8.00	1.63	1.09	3.99
70LF20801	2"	1.50	3.18	6.37	3.25	8.00	2.13	1.34	5.71
70LF20901	2-1/2"	2.00	3.74	7.51	3.72	8.00	2.63	1.48	15.53
70LF20001	3"	2.50	4.12	8.25	4.12	8.00	3.13	1.67	16.74
70LF20A01	4"	3.13	5.65	10.26	5.22	9.94	4.13	2.16	27.93

STANDARD MATERIALS LIST

Part Name	Material
Lever and Grip	Steel, Zinc Plated w/ Vinyl Grip
Stem Packing	RPTFE
Stem Bearing	RPTFE
Ball	C27450, Lead Free* Brass, Cr Plated
Seat (2)	RPTFE
Retainer	C27450 Lead Free* Brass (3/8" to 1") C89836 Lead Free* Bronze (1-1/4" - 4")
Gland Nut	B16 Brass
Stem	C27450 Lead Free* Brass
Lever Nut	Steel, Zinc Plated
Body	C89836 Lead Free* Bronze



MODELS

- 70LF-200 Series Standard
- 70LF-240 Series 316 SS Ball & Stem

APPROVALS

- MSS SP-110; Ball Valves
- ANSI/NSF 61-8 2008 180°F (Mechanical Devices)
- ANSI 3rd Party Approval to AB 1953 0.25% Lead Max.
- CRN: OC10908.5C

* **LEAD FREE:** The wetted surfaces of this product shall contain no more than 0.25% lead by weighted average. Complies with CA AB 1953 and VT S.152

OPTIONS & SIZES

- (-03) 1 1/4" CS Stem Extension 3/8" - 3"
- (-04) 2 1/4" CS Stem Extension 3/8" - 3"
- (-07) Steel Tee Handle 3/8" - 2"
- (-10) SS Lever & Nut 3/8" - 3"
- (-11) Therma-Seal™ Insulating Tee Handle 3/8" - 2"
- (-27) SS Latch-Lock Lever & Nut 3/8" - 4"
- (-32) SS Tee Handle & Nut 3/8" - 2"
- (-47) SS Oval Latch-Lock Handle & Nut 3/8" - 1"
- (-48) SS Oval Handle (No Latch) & Nut 3/8" - 2"
- (-92) Balancing Stop 3/8" - 3"

Conbraco Industries, Inc. 701 Matthews Mint Hill Rd. Matthews NC 28106 USA; www.apollovalves.com; 704-841-6000

This specification is provided for reference only. Conbraco reserves the right to change any portion of this specification without notice and without incurring obligation to make such changes to Conbraco products previously or subsequently sold.