



# 70-800 Series

## Male x Female Bronze Ball Valve

Male x Female Threaded, 600 psig WOG, Cold Non-Shock. 150 psig Saturated Steam. (See referenced P/T chart)  
Vacuum Service to 29 inches Hg.

Federal Specification: WW-V-35C, Type: II, Composition: BZ, Style: 3.

MSS SP-110; Ball Valves, Threaded, Socket-Welding, Solder Joint, Grooved and Flared Ends.

### FEATURES

- Two-piece body
- Reinforced seats
- Male x Female threaded end connections
- Blow-out-proof stem design
- Adjustable packing gland

### STANDARD MATERIAL LIST

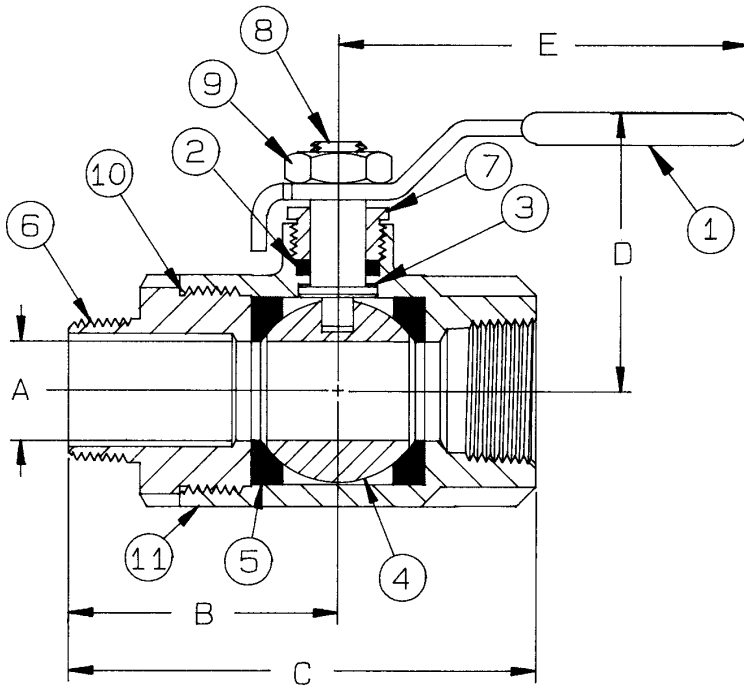
1. Lever and grip	Steel, zinc plated w/vinyl	7. Gland nut	B16
2. Stem packing	MPTFE	8. Stem	B16
3. Stem bearing	RPTFE	9. Lever nut	Steel, zinc plated
4. Ball	B16, chrome plated	10. Body seal	PTFE
5. Seat (2)	RPTFE	(1-1/4" to 1-1/2")	
6. Retainer	B16	11. Body	B584-C84400

### VARIATIONS AVAILABLE:

70-840 Series (316 SS Ball & Stem)

### OPTIONS AVAILABLE:

(SUFFIX)	OPTION	SIZES
-02-	Stem Grounded	1/4" to 1-1/2"
-03-	1-1/4" CS Stem Extension	1/4" to 1-1/2"
-04-	2-1/4" CS Stem Extension	1/4" to 1-1/2"
-05-	Plain Ball	1/4" to 1-1/2"
-07-	Steel Tee Handle	1/4" to 1-1/2"
-08-	90° Reversed Stem	1/4" to 1-1/2"
-10-	SS Lever & Nut	1/4" to 1-1/2"
-11-	Therma-Seal™ Insulating Handle	1/4" to 1-1/2"
-14-	Side Vented Ball (Uni-Directional)	1/4" to 1-1/2"
-15-	Wheel Handle, Steel	1/4" to 1-1/2"
-16-	Chain Lever - Vertical	3/4" to 1-1/2"
-21-	UHMWPE Trim (Non-PTFE)	1/4" to 1-1/2"
-24-	Graphite Packing	1/4" to 1-1/2"
-27-	SS Latch-Lock Lever & Nut	1/4" to 1-1/2"
-30-	Cam-Lock and Grounded	1/4" to 1-1/2"
-32-	SS Tee Handle & Nut	1/4" to 1-1/2"
-35-	VTFE Trim	1/4" to 1-1/2"
-39-	SS Hi-Rise Locking Wheel Handle, SS Nut	1/4" to 1-1/2"
-40-	Cyl-Loc and Grounded	1/4" to 1-1/2"
-41-	Automatic Drain (Bronze Valves Only)	1/4" to 1-1/2"
	see page J-8	
-45-	Less Lever & Nut	1/4" to 1-1/2"
-46-	Latch Lock Lever - Lock in Closed Position Only	1/4" to 1-1/2"
-47-	SS Oval Latch-Lock Handle & Nut	1/4" to 1"
-48-	SS Oval Handle (No Latch) & Nut	1/4" to 1-1/2"
-49-	Assembled Dry	1/4" to 1-1/2"
-50-	2-1/4" CS Locking Stem Extension	1/4" to 1-1/2"
-56-	Multifill Seats & Packing	1/4" to 1-1/2"
-57-	Oxygen Cleaned	1/4" to 1-1/2"
-58-	Chain Lever - Horizontal	3/4" to 1-1/2"
-60-	Static Grounded Ball & Stem	1/4" to 1-1/2"
-64-	250# Steam Trim	1/4" to 1-1/2"
-92-	Balancing Stop	1/4" to 1-1/2"



MALE X FEMALE BRONZE BALL VALVE

NUMBER	SIZE	A	B	C	D	E	Wt.
70-801-01	1/4"	.37	1.40	2.43	1.75	3.87	.63
70-802-01	3/8"	.37	1.46	2.50	1.75	3.87	.60
70-803-01	1/2"	.50	1.68	2.81	1.81	3.87	.72
70-804-01	3/4"	.68	2.00	3.50	2.12	4.87	1.42
70-805-01	1"	.87	2.31	4.00	2.25	4.87	1.93
70-806-01	1-1/4"	1.00	2.31	4.31	2.62	5.50	3.19
70-807-01	1-1/2"	1.25	3.00	5.18	3.06	8.00	4.60

For Pressure/Temperature Ratings,  
Refer to Page M-8, Graph No. 4

# FLOW DATA

## For Apollo® Ball Valves

The listed Cv "factors" are derived from actual flow testing, in the Apollo® Ball Valve Division, Conbraco Industries, Inc., Pageland, South Carolina. These tests were completed using standard "off the shelf" valves with no special preparation and utilizing standard schedule 40 pipe. It should be understood that these factors are for the valve only and also include the connection configuration. The flow testing is done utilizing water as a fluid media and is a direct statement of the gallons of water flowed per minute with a 1 psig pressure differential across the valve/connection unit. Line pressure is not a factor. Because the Cv is a factor, the formula can be used to estimate flow of most media for valve sizing.

### Flow of Liquid

$$Q = Cv \sqrt{\frac{\Delta P}{SpGr}}$$

$$\text{or } \Delta P = \frac{(Q)^2 (SpGr)}{(Cv)^2}$$

Where:

Q = flow in US gpm  
 ΔP = pressure drop (psig)  
 SpGr = specific gravity at flowing temperature  
 Cv = valve constant

### Flow of Gas

$$Q = 1360 Cv \sqrt{\frac{(\Delta P) (P_1)}{(SpGr) (T)}}$$

$$\text{or } \Delta P = \frac{5.4 \times 10^{-7} (SpGr) (T)}{(Q)^2} (Cv)^2 (P_2)$$

Where:

Q = flow in SCFH  
 ΔP = pressure drop (psig)  
 SpGr = specific gravity (based on air = 1.0)  
 P<sub>1</sub> = outlet pressure-psia (psig + 14.7)  
 T = (temp. °F + 460)  
 Cv = valve constant

### Cv FACTORS

#### SERIES:

70-100, 71-100, 71AR, 73A-100,  
 74-100, 76-100, 76AR, 80-100  
 81-100, 89-100

SIZE		1/4"	3/8"	1/2"	3/4"	1"	1-1/4"	1-1/2"	2"	2-1/2"	3"	4"
OPEN	90°	8.4	7.2	15	30	43	48	84	108	503	370	670

### Cv FACTORS

#### 76F, 77, 77AR, 77C, 77D SERIES

SIZE		1/4"	3/8"	1/2"	3/4"	1"	1-1/4"	1-1/2"	2"	2-1/2"
OPEN	90°	8.1	15	15	51	68	125	177	389	503

### Cv FACTORS

#### 82-100/200, 83R-100/200/700, 85R-100/200, 86R-100/200/700, 83-500/600, 86-500/600/900 SERIES

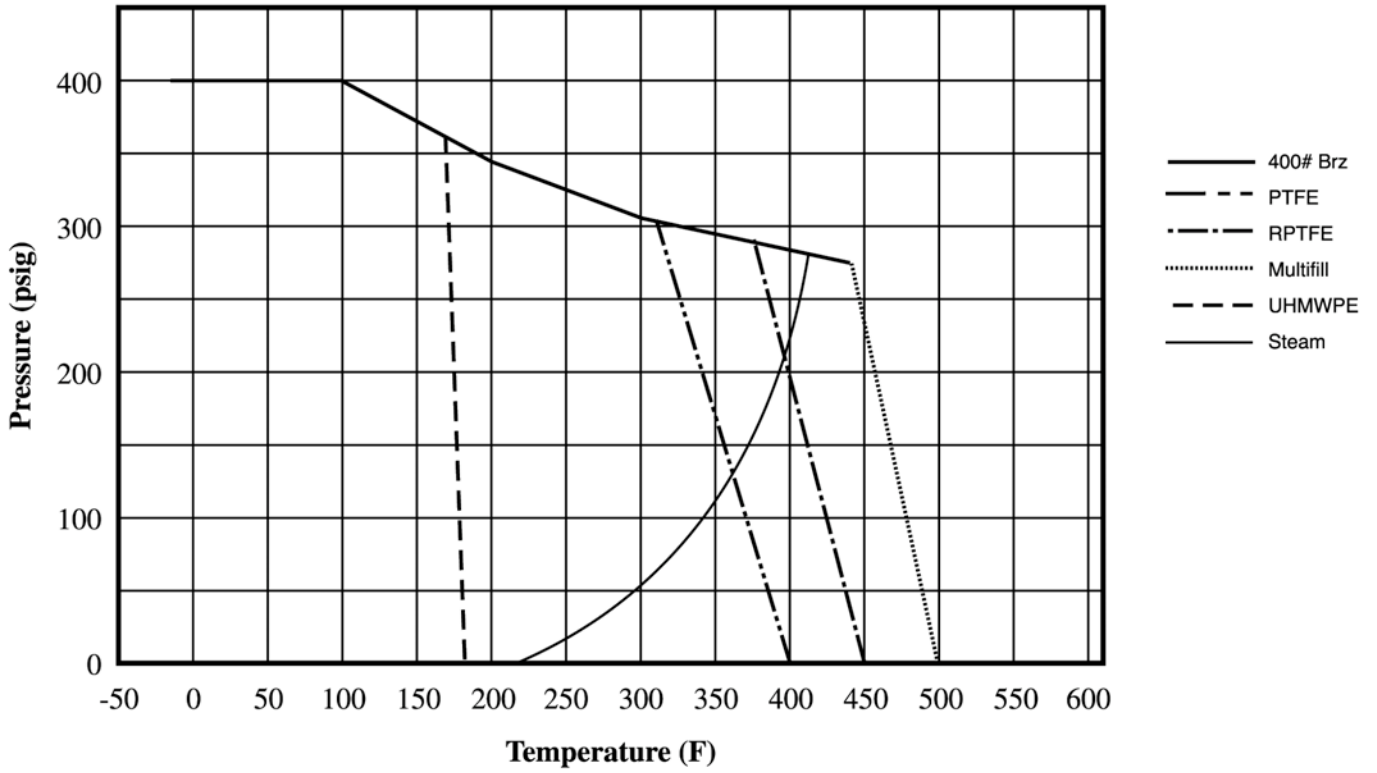
SIZE		1/4"	3/8"	1/2"	3/4"	1"	1-1/4"	1-1/2"	2"	2-1/2"	3"	4"
OPEN	90°	8.1	14	26	51	68	120	170	376	510	996	1893

### Cv FACTORS

#### 83A/83B, 86A/86B, 86C SERIES

SIZE		1/4"	3/8"	1/2"	3/4"	1"	1-1/4"	1-1/2"	2"
OPEN	90°	8.1	14	26	51	68	120	170	376

### 400# Bronze P-T Rating (Graph 3)



### 600# Bronze P-T Rating (Graph 4)

