

40-200 SERIES, MODEL RP (4S-200), & MODEL 4D-200 BACKFLOW PREVENTERS

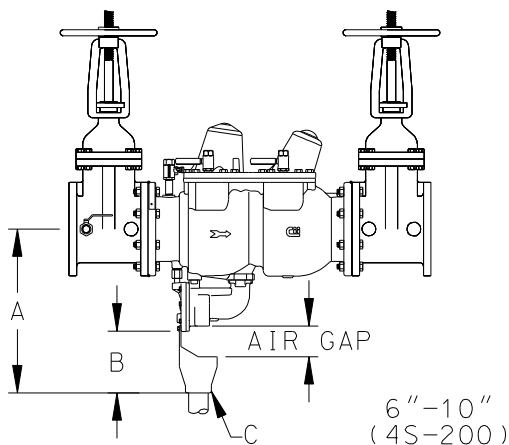
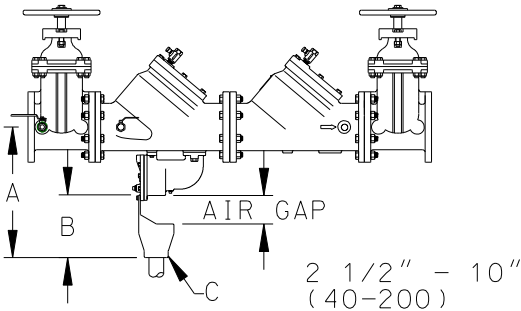
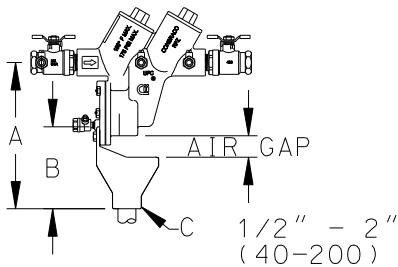
AIR GAP DRAIN

For installation with Apollo's 40-200, 4S-200, and 4D-200 Series Reduced Pressure Principle backflow preventers.

DESCRIPTION

The Apollo Air Gap Drain (AGD) is designed to funnel minor relief valve discharges, due to line pressure fluctuations and/or minor check valve fouling, into the drainage system. Drain piping is easily attached to the drain's threaded bottom.

NOTE: The AGD is not designed to collect the full discharge capacity of the relief valve.

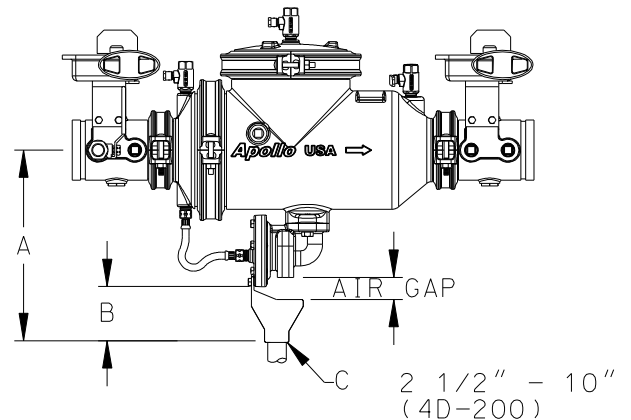


DIMENSIONS (in.) - WEIGHTS (lbs.)

40-200 SIZE	AGD MODEL NO.	A	B	exit piping C	WT. /100
1/4", 3/8", 1/2"	40-200-XA	8-7/16	5	1" NPT	230
3/4" & 1"	40-200-X1	9-1/2	5-1/8	1" NPT	340
1 1/4" - 2"	40-200-X1	11-1/4	5-1/8	1" NPT	340
2 1/2" & 3"	40-200-X2	19	9-7/8	2" NPT	1100
4"	40-200-X2	20	9-7/8	2" NPT	1100
6"	40-200-X2	21	9-7/8	2" NPT	1100
8"	40-200-X3	22-11/16	12-11/16	3" NPT	1245
10"	40-200-X3	25-11/16	12-11/16	3" NPT	1245

4S-200 SIZE	AGD MODEL NO.	A	B	exit piping C	WT. /100
2 1/2" - 4"	40-200-X1	13-11/16	5-1/8	1" NPT	340
6"	40-200-X1	14-5/8	5-1/8	1" NPT	340
8" & 10"	40-200-X2	23-3/4	9-13/16	2" NPT	1100

4D-200 SIZE	AGD MODEL NO.	A	B	exit piping C	WT. /100
2 1/2" - 4"	40-200-X1	14-1/2	5-1/8	1" NPT	340
6"	40-200-X1	16	5-1/8	1" NPT	340
8" & 10"	40-200-X2	24-1/4	9-13/16	2" NPT	1100



INSTALLATION

NOTE: Isolate the R.P. Device from line pressures and relieve internal pressure before installing the AGD.

R.P. sizes 1/4", 3/8", & 1/2" (40-200)

1. Thread the AGD onto the drainage piping.
2. Remove the bottom two bolts from the relief valve cover.
3. Position the flange of the AGD over the relief valve cover and line up the two holes with those in the cover.
4. Using two 1/4 x 7/8 inch bolts provided, attach the AGD to the assembly and tighten bolts firmly.
5. Re-establish line pressure within the R.P. and check for leaks.

R.P. sizes 1-1/2" and 2" (40-200)

R.P. sizes 2-1/2", 3", 4", & 6" (4S-200)

R.P. sizes 2-1/2", 3", 4", & 6" (4D-200)

1. Thread the AGD onto the drainage piping.
2. Loosen and remove one bolt located at the six o'clock position on the relief valve cover.
3. Position flange of the AGD over the relief valve cover and line up the center hole with the one in the cover.
4. Using the 3/8 x 1-1/4 inch bolt provided, attach the AGD to the assembly and tighten bolt firmly.
5. Re-establish line pressure within the R.P. and check for leaks.

R.P. sizes 3/4 and 1" (40-200)

1. Thread the AGD onto the drainage piping.
2. Loosen and remove two bolts located at approximately the five o'clock and the seven o'clock positions on the relief valve cover (plate attached to R.P. with 6 bolts).
3. Position the flange of the AGD over the relief valve cover and line up the two outside holes with those in the cover.
4. Using two 5/16 x 1 inch bolts provided, attach the AGD to the assembly and tighten bolts firmly.
5. Re-establish line pressure within the R.P. and check for leaks.

R.P. sizes 2-1/2", 3", 4", 6", 8", & 10" (40-200)

R.P. sizes 8" and 10" (4S-200)

R.P. sizes 8" and 10" (4D-200)

1. Thread the AGD onto the drainage piping.
2. Remove the bottom three bolts from the relief valve cover.
3. Position the flange of the AGD over the relief valve cover and line up the three holes with those in the cover.
4. 40-200: Using the existing bolts removed, attach the AGD to the assembly and tighten bolts firmly.

4S-200: Using three 3/8 x 1-1/2 inch bolts provided, attach the AGD to the assembly and tighten bolts firmly.
5. Re-establish line pressure within the R.P. and check for leaks.

BACKFLOW PRODUCTS DIVISION

Conbraco Industries, Inc. P.O. Box 247 Matthews, N.C. 28106 (704) 841-6000 FAX (704) 841-6020 USA
PRINTED IN USA

<http://www.conbraco.com>

COPYRIGHT 2005 © CONBRACO INDUSTRIES, INC.