



## 32-200 - Reduced Port Solder End Bronze Ball Valve

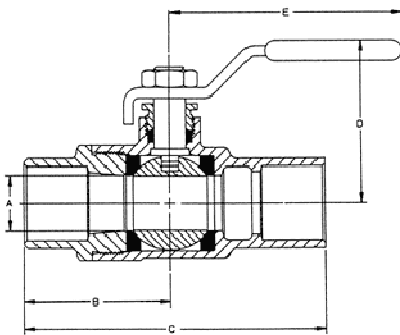
Size: 1/4" to 2"

Ends: Solder



### Features

- Chromium plated ball
- PTFE seats and MPTFE stuffing box ring
- Pressure Ratings:  
400 psig CWP  
Non-Shock  
125 psig Saturated Steam  
Vacuum service to 29" Hg



### Dimensions

Part No.	Size in./mm	A in./mm	B in./mm	C in./mm	D in./mm	E in./mm
32-203-01	1/2 15	0.400 10.160	1.290 32.766	2.650 67.310	1.680 42.672	2.870 72.898
32-204-01	3/4 20	0.650 16.510	1.730 43.942	3.560 90.424	1.900 48.260	3.870 98.298
32-205-01	1 25	0.750 19.050	2.110 53.594	4.260 108.204	2.180 55.372	4.870 123.698
32-206-01	1-1/4 32	1.000 25.400	2.360 59.944	4.600 116.840	2.530 64.262	5.500 139.700
32-207-01	1-1/2 40	1.120 28.448	2.840 72.136	5.420 137.668	2.690 68.326	5.500 139.700
32-208-01	2 50	1.500 38.100	3.330 84.582	6.480 164.592	2.940 74.676	5.500 139.700