



# 32-200 SERIES

## Solder End Bronze Ball Valve

<b>Job Name:</b>	<b>Contractor:</b>
<b>Job Location:</b>	<b>P.O. Number:</b>
<b>Engineer:</b>	<b>Representative:</b>
<b>Tag:</b>	<b>Wholesale Distributor:</b>

### DESCRIPTION

The Apollo® 32-200 Series is a regular port Bronze Ball Valve featuring a proven ASTM Grade bronze body designed to be soft soldered into lines without disassembly.

### FEATURES

- Adjustable Packing Gland
- Blow-Out Proof Stem Design
- PTFE Seats and RPTFE Stem Packing
- Chromium Plated Ball

### PERFORMANCE RATING

- Maximum Pressure: 400 psi CWP, 125 psi SWP
- Maximum Temperature: 400°F
- Vacuum Service to 29 in. Hg

### OPTIONS

- (-07) Tee Handle
- (-27) Locking Handle
- (-49) Assembled Dry

### STANDARD MATERIALS LIST

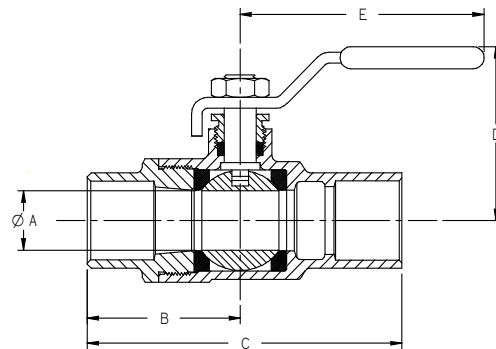
Part Name	Material
Lever and Grip	Steel, Zinc Plated w/ Vinyl
Stem Packing	RPTFE
Ball	B16 Brass, Chrome Plated
Seat (2)	PTFE
Retainer	B16 Brass
Gland Nut	B16 Brass
Stem	B16 Brass
Lever Screw (1/4" to 1/2")	Steel, Zinc Plated
Lever Nut (3/4" to 2")	Steel, Zinc Plated
Body	B584 Bronze-C84400

### APPROVALS

- MSS SP-110; Ball Valves Threaded, Socket-Welding, Solder Joint, Grooved and Flared Ends
- CRN: OC10908.5



### DIMENSIONS



Model Number	Size (in.)	Dimensions				
		A	B	C	D	E
32-203	1/2"	0.40	1.29	2.65	1.68	2.87
32-204	3/4"	0.65	1.73	3.56	1.90	3.87
32-205	1"	0.75	2.11	4.26	2.18	4.87
32-206	1 1/4"	1.00	2.36	4.60	2.53	5.50
32-207	1 1/2"	1.12	2.84	5.42	2.69	5.50
32-208	2"	1.50	3.33	6.48	2.94	5.50

Conbraco Industries, Inc. 701 Matthews Mint Hill Rd. Matthews NC 28106 USA; [www.conbraco.com](http://www.conbraco.com); 704-841-6000

This specification is provided for reference only. Conbraco reserves the right to change any portion of this specification without notice and without incurring obligation to make such changes to Conbraco products previously or subsequently sold.