



69BV SERIES PIPE MASTER™ Ball Valve

Job Name:	Contractor:
Job Location:	P.O. Number:
Engineer:	Representative:
Tag:	Wholesale Distributor:

DESCRIPTION

The new Apollo® PIPEMASTER™ ball valve is a universal full port ball valve designed for virtually any residential or commercial plumbing application. Various end connections to make over 100 possible combinations.



FEATURES

- Adjustable Stem Packing
- Full-Port Flow
- Fast, Easy, Economical Installation
- Blow-Out Proof Stem Design
- Corrosion Resistant Materials
- All Popular Connection Options
- Silicone Free

PERFORMANCE RATING

- Temperature Rating: 32°F to 210°F
- Valve Body is Rated 600 CWP
- Actual Maximum Pressure Rating Limited by Connection Pipe Adapter. See below.

APPROVALS

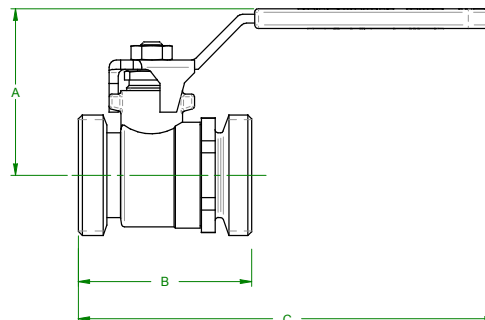
- MSS SP-110 Ball Valves
- ANSI/NSF 61-8 (61<5) Potable Water
- ASTM F1807 Standard Specification for Metal Insert Fittings Utilizing a Copper Crimp Ring for SDR9 Cross linked Polyethylene (PEX) Tubing
- Directive 2002/95/CE (RoHS) Compliant

MATERIAL SPECIFICATIONS

LEVER	STEEL, ZINC PLATED W/ VINYL GRIP
STEM PACKING	MPTFE
STEM BEARING	MPTFE
BALL	BRASS, CHROME PLATED
SEAT	MPTFE
RETAINER	BRASS
O-RING	EPDM
GLAND NUT	BRASS
STEM	BRASS
LEVER NUT	STEEL, ZINC PLATED

CENTER SECTION

Center Section Part Number	Size (in.)	Dimensions (in.)			Wt. (lbs.)	Carton Qty.
		A	B	C		
69BV0301PZ	1/2"	1.82	2.00	4.78	0.7	20
69BV0401PZ	3/4"	2.31	2.15	5.67	1.2	30
69BV0501PZ	1"	2.68	2.38	6.16	1.7	10



PIPE ADAPTER

*Sold separately from Center Section assembly.

69BV – Size – Pipe Adapter - PZ

Size :

- 03 = 1/2" 04 = 3/4" 05 = 1"

Pipe Adapter:	NUMBER	PRESSURE RATING
<input type="checkbox"/> SOLDER	(02)	200 CWP
<input type="checkbox"/> MALE NPT	(03)	600 CWP
<input type="checkbox"/> FEMALE NPT	(04)	600 CWP
<input type="checkbox"/> PVC	(05)	200 CWP
<input type="checkbox"/> CPVC	(06)	400 CWP
<input type="checkbox"/> PEX	(07)	200 CWP
<input type="checkbox"/> COMPRESSION	(08)	200 CWP
<input type="checkbox"/> PUSH	(09)	200 CWP
<input type="checkbox"/> PE (POLY)	(10)	200 CWP

Example: 69BV-04-02-PZ – 3/4" Solder adapter

Conbraco Industries, Inc. 701 Matthews Mint Hill Rd. Matthews NC 28106 USA; www.conbraco.com ; 704-841-6000

This specification is provided for reference only. Conbraco reserves the right to change any portion of this specification without notice and without incurring obligation to make such changes to Conbraco products previously or subsequently sold.